

Sync01VP3 Powered Air Purifying Respirator

PRODUCT DESCRIPTION

Breath responsive PAPR of Full face mask integrated with a fan unit making it "Compact", "Economical", "Light", with a high protection.

APPLICATION

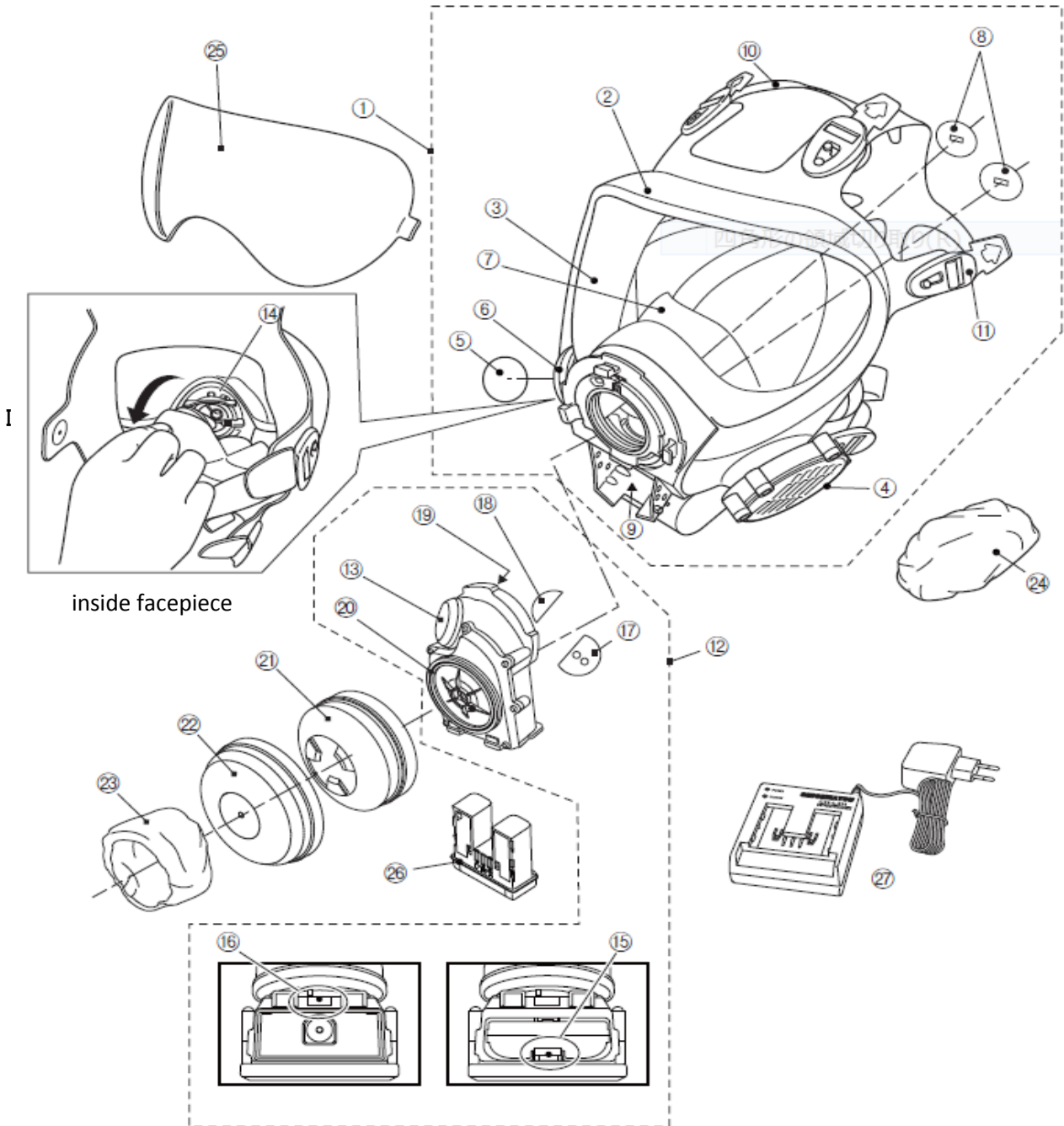
Sync01VP3 Powered Air Purifying REspirator can **ONLY** be used with VP3 filter. Please refer to the back page for further information of filter.

KEY FEATURES

| | |
|-----------------------------|---|
| Easy breathing | Breath responsive PAPR provides clean filtered air by fan as you inhale. |
| Long life and light battery | Breath responsive makes a long battery life with light-weight built-in battery. |
| High protection | Positive pressure is maintained inside the mask. |
| Cordless | No battery connection cable which does not disturb your work. |
| Switchless | Automatic ON/OFF function. |
| LED indicators | Two indicators for Battery life and filter replacement . |
| IP65 certified | Facepiece can be washed with water (removable fan unit). |

TECHNICAL DATA

| | |
|-----------|--|
| Material | SBC (Stylene-butadiene copolymers) |
| Sizes | Medium (M), Large (L) |
| Visor | Anti-scratch coated polycarbonate |
| Connector | "Bayonet" connectors for use with STS VP3 filter |
| Weight | Approx. 755-770g (without filters) |
| Approvals | EN12942:1998+A2:2008 TM3 P R SL IEC 60529:2001 IP65 rated |



PARTS LIST

| No. | Part name | | Order No. |
|---|-----------|--------------------------------|-----------|
| F a c e p i e c e | ① | *Facepiece "FP-E01" | M 41731 |
| | | | L 41732 |
| | ② | Face Blank | - |
| | ③ | Visor | - |
| | ④ | Speech Diaphragm | - |
| | ⑤ | Exhalation valve | 50000 |
| | ⑥ | Exhalation Valve Cover | 03126 |
| | ⑦ | *Inner Mask | 41114 |
| | ⑧ | *Inner Mask Valve | 50122 |
| | ⑨ | *Drain Valve | 50008 |
| | ⑩ | *Head Harness | 41401 |
| ⑪ | Buckle | - | |
| F a n U n i t | ⑫ | *Fan Unit "FU-E01" | 41730 |
| | ⑬ | Breathing Monitor | - |
| | ⑭ | Filter Replacement Indicator | - |
| | ⑮ | Battery Lock Lever | - |
| | ⑯ | Battery Life Indicators | - |
| | ⑰ | *Inhalation Valve | 03127 |
| | ⑱ | *Protective Sponge | 03124 |
| | ⑲ | *Gasket (Fan Unit - Facepiece) | 03123 |
| | ⑳ | *Gasket (Filter - Fan Unit) | 03122 |
| | ㉑ | *Filter "VP3" | 40350 |
| O t h e r s | ㉒ | *Filter Guard | 03118 |
| | ㉓ | *Unit Cover | 02800 |
| | ㉔ | *Speech Diaphragm Cover | 03109 |
| | ㉕ | *Cover glass | 02659 |
| | ㉖ | *Battery "BA-L2H-E" | 41735 |
| | ㉗ | *Charger "CH-L2HAC" | 41734 |

*=Spare parts available for purchase

COMPATIBLE FILTERS

| Filter | Product name | Filter type | Colour code | Application |
|-----------------|--------------|-------------|-------------|----------------------------|
| Particle filter | VP3 | P R SL | White | Solid and liquid particles |

MATERIALS

| Component | Material |
|------------------------|---|
| 1. Facepiece "FP-E01" | |
| Face Blank | SBC (Styrene-butadiene copolymers) |
| Visor | Polycarbonate |
| Speech diaphragm | ABS (Acrylonitrile butadiene styrene), Teflon, SUS |
| Exhalation Valve | Silicone Rubber |
| Exhalation Valve Cover | PBT (Polybutylene terephthalate) |
| Inner Mask | SBC (Styrene-butadiene copolymers) |
| Inner Mask Valve | Silicone Rubber |
| Drain Valve | Silicone Rubber |
| Head Harness | TPU (Thermoplastic polyurethane), PBT (Polybutylene terephthalate) |
| 2. Fan Unit "FU-E01" | |
| Inhalation Valve | Silicone Rubber |
| 3. Battery "BA-L2H-E" | |
| Battery | Lithium-ion battery |

IMPORTANT NOTICE

All information contained in tables and notes have been compiled using skills and diligence. SHIGEMATSU WORKS CO., LTD. publishes such information in good faith however will not be responsible for any errors or omissions contained in this guide.